

Cyclone



**Explosion Protection System  
Information Worksheet**  
Version 1.7

Completed by:	
Company:	
Date:	
Tel No.:	
E-mail:	
Proposal Due Date:	

**CYCLONE**

**Proposal to be sent to:**

Contact:		Title:	
Company Name:		Telephone:	
Address:	ZXCVXZCV	Fax:	
		E-mail:	
<b>PROJECT NUMBER/REF:</b>			

*Please provide end-user information if different than above:*

Contact:		Title:	
Company Name:		Telephone:	
Address:		Fax:	
		E-mail:	

<b>Explosion Protection Options (click boxes for desired options)</b>		<b>Combustible Material:</b>	
Explosion Relief Venting	<input type="checkbox"/>	Material:	<input type="text"/>
Flameless Venting	<input checked="" type="checkbox"/> Yes	K <sub>st</sub> or K <sub>g</sub> :	<input type="text"/> bar-m/sec
Vent Pstat (if applicable)	<input type="checkbox"/>	Ignition Temperature, T <sub>c</sub> :	<input type="text"/> °C
Explosion suppression	<input type="checkbox"/>	Material Name:	<input type="text"/>
Explosion Isolation	<input type="checkbox"/>	P <sub>max</sub> :	<input type="text"/> bar g
Type of Isolation	<input type="checkbox"/>	MIE:	<input type="text"/> mJ
Exhaust air recirculates back to building?	<input type="checkbox"/>		
<b>Would you like to receive information on dust testing ?</b>			

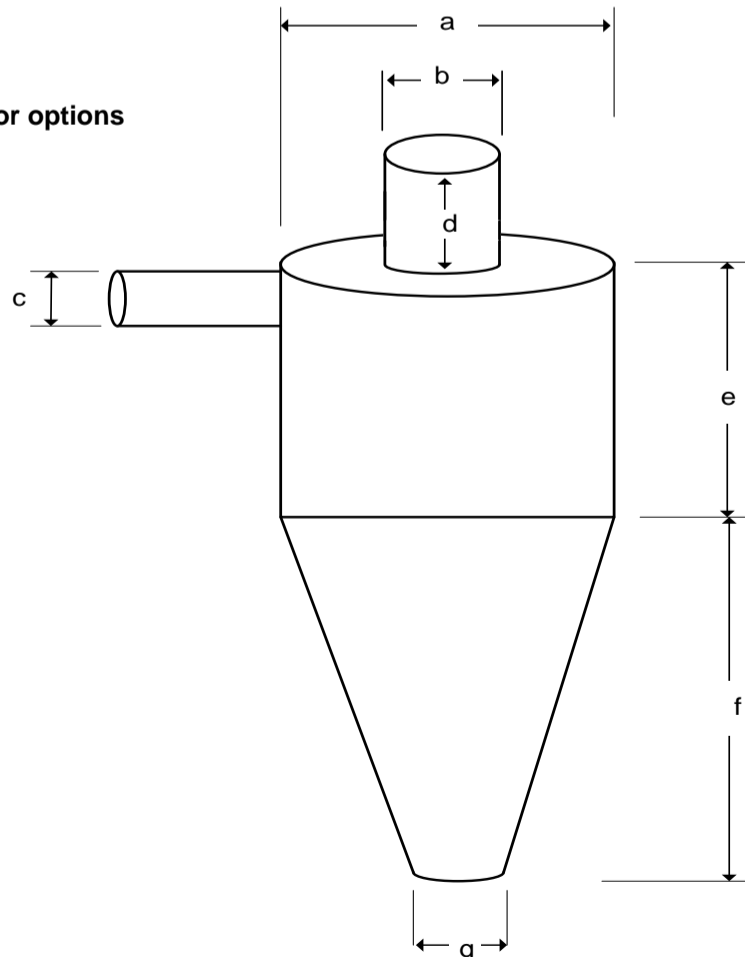
<b>Process Operating Conditions:</b>		<b>Click box for options</b>		<b>Click box for options</b>	
Max. positive pressure:	<input type="text"/>	Airflow:	<input type="text"/>	SCFM	<input type="checkbox"/>
Max. vacuum:	<input type="text"/>	Reduced Exp. Pres. (P <sub>RED</sub> ):	<input type="text"/>	bar	<input type="checkbox"/>
Max. Temperature:	<input type="text"/>	Cyclone Location:	<input type="text"/>		<input type="checkbox"/>
Min. Temperature:	<input type="text"/>	Distance to exterior wall:	<input type="text"/>	ft	<input type="checkbox"/>
Ambient Temperature:	<input type="text"/>				

**Process Description:**

--

**Process Equipment:**

Manufacturer:	<input type="text"/>
Model:	<input type="text"/>
Cyclone inlet type	<input type="checkbox"/> <b>Click box for options</b>
Cyclone outlet type	<input type="checkbox"/>
Cyclone diameter	<input type="text"/> a
Exhaust diameter	<input type="text"/> b
Inlet diameter	<input type="text"/> c
Outlet plenum height	<input type="text"/> d
Cylinder section height	<input type="text"/> e
Hopper height	<input type="text"/> f
Hopper discharge dia.	<input type="text"/> g



**IEP Technologies NOTES:**

--



**Explosion Protection System  
Information Worksheet  
Version 1.7**

Completed by:	
Company:	
Date:	
Tel No.:	
E-mail:	
Proposal Due Date:	

**DUST COLLECTOR - ROUND**

**Proposal to be sent to:**

Contact:		Title:	
Company Name:		Telephone:	
Address:		Fax:	
<b>PROJECT NUMBER/REF:</b>		E-mail:	

**Please provide end-user information if different than above:**

Contact:		Title:	
Company Name:		Telephone:	
Address:		Fax:	
		E-mail:	

**Explosion Protection Options (click boxes for options)**

Explosion Relief Venting	<input type="checkbox"/>
Flameless Venting	<input type="checkbox"/>
Vent Pstat (if applicable)	<input type="checkbox"/>
Explosion suppression	<input type="checkbox"/>
Explosion Isolation	<input type="checkbox"/>
Type of Isolation	<input type="checkbox"/> Inlet & Outlet
Exhaust air recirculates back to building?	<input type="checkbox"/>

**Combustible Material:**

Material:	
K <sub>st</sub> or K <sub>g</sub> :	<input type="text"/> bar-m/sec
Ignition Temperature, T <sub>c</sub> :	<input type="text"/> °C
Material Name:	
P <sub>max</sub> :	<input type="text"/> bar g
MIE:	<input type="text"/> mJ

Would you like to receive information on dust testing ?

**Process Operating Conditions:**

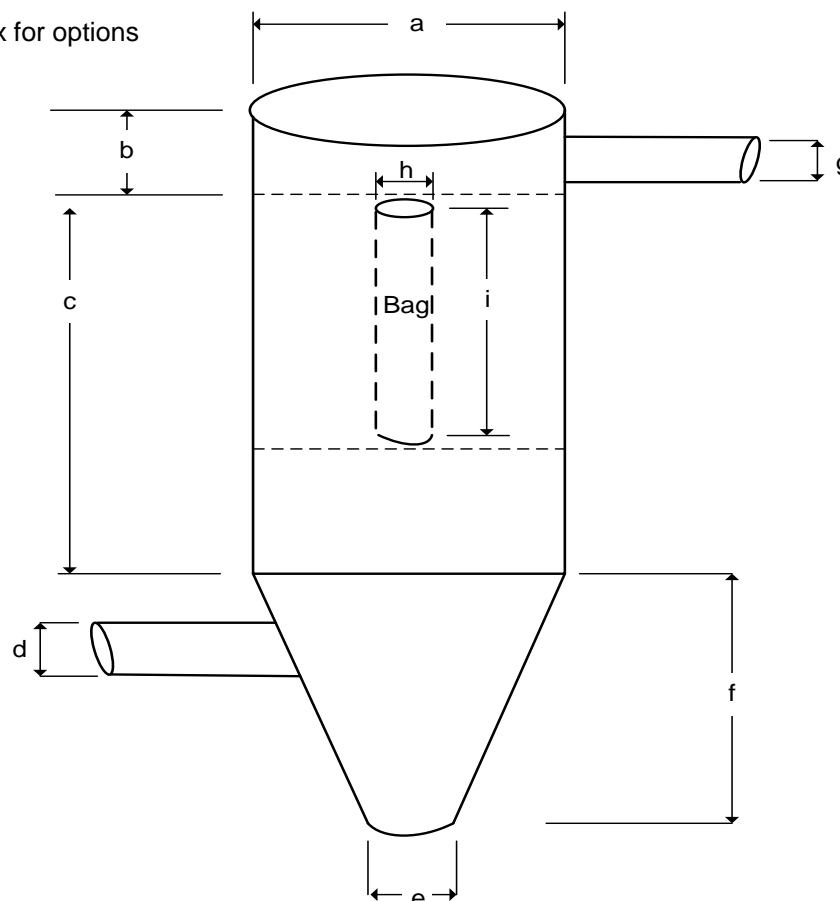
Max. positive pressure:	<input type="text"/>	Click box for options	Airflow:	<input type="text"/>	Click box for options
Max. vacuum:	<input type="text"/>		Reduced Exp. Pres. (P <sub>RED</sub> ):	<input type="text"/>	
Max. Temperature:	<input type="text"/>		Collector Location:	<input type="text"/>	
Min. Temperature:	<input type="text"/>		Distance to exterior wall:	<input type="text"/>	
Ambient Temperature:	<input type="text"/>				

**Process Description:**

--

**Process Equipment:**

Manufacturer:			
Model:			
Dust Collector Type:	<input type="checkbox"/>	Click box for options	
Diameter	<input type="text"/> a	<input type="checkbox"/>	
Clean-air plenum height	<input type="text"/> b	<input type="checkbox"/>	
Dirty-air plenum height	<input type="text"/> c	<input type="checkbox"/>	
Inlet diameter	<input type="text"/> d	<input type="checkbox"/>	
Hopper discharge dia.	<input type="text"/> e	<input type="checkbox"/>	
Hopper height	<input type="text"/> f	<input type="checkbox"/>	
Exhaust Dia.	<input type="text"/> g	<input type="checkbox"/>	
Bag/Cartridge Dia.	<input type="text"/> h	<input type="checkbox"/>	
Bag/Cartridge Height	<input type="text"/> i	<input type="checkbox"/>	
No. of Bags/Cartridges	<input type="text"/>	<input type="checkbox"/>	



**IEP Technologies NOTES:**

--



**Explosion Protection System  
Information Worksheet  
Version 1.7**

Completed by: \_\_\_\_\_  
 Company: \_\_\_\_\_  
 Date: \_\_\_\_\_  
 Tel No.: \_\_\_\_\_  
 E-mail: \_\_\_\_\_  
 Proposal Due Date: \_\_\_\_\_

**DUST COLLECTOR - RECTANGULAR**

**Proposal to be sent to:**

Contact:	_____	Title:	_____
Company Name:	_____	Telephone:	_____
Address:	_____	Fax:	_____
PROJECT NUMBER/REF:	_____	E-mail:	_____

**Please provide end-user information if different than above:**

Contact:	_____	Telephone:	_____
Company Name:	_____	Fax:	_____
Address:	_____	E-mail:	_____

**Explosion Protection Options (click box for options)**

Explosion Relief Venting	<input type="checkbox"/>
Flameless Venting	<input type="checkbox"/>
Vent Pstat (if applicable)	<input type="checkbox"/>
Explosion suppression	<input type="checkbox"/>
Explosion Isolation	<input type="checkbox"/>
Type of Isolation	<input type="checkbox"/>
Exhaust air recirculates back to building?	<input type="checkbox"/>

**Combustible Material Information:**

Material:	Dust	
K <sub>st</sub> or K <sub>g</sub> :	_____	bar-m/sec
Ignition Temperature, T <sub>c</sub> :	_____	°C
Material Name:	_____	
P <sub>max</sub> :	_____	bar g
MIE:	_____	mJ

**Would you like to receive information on dust testing ?**

**Process Operating Conditions:**

Click box for options

Click box for options

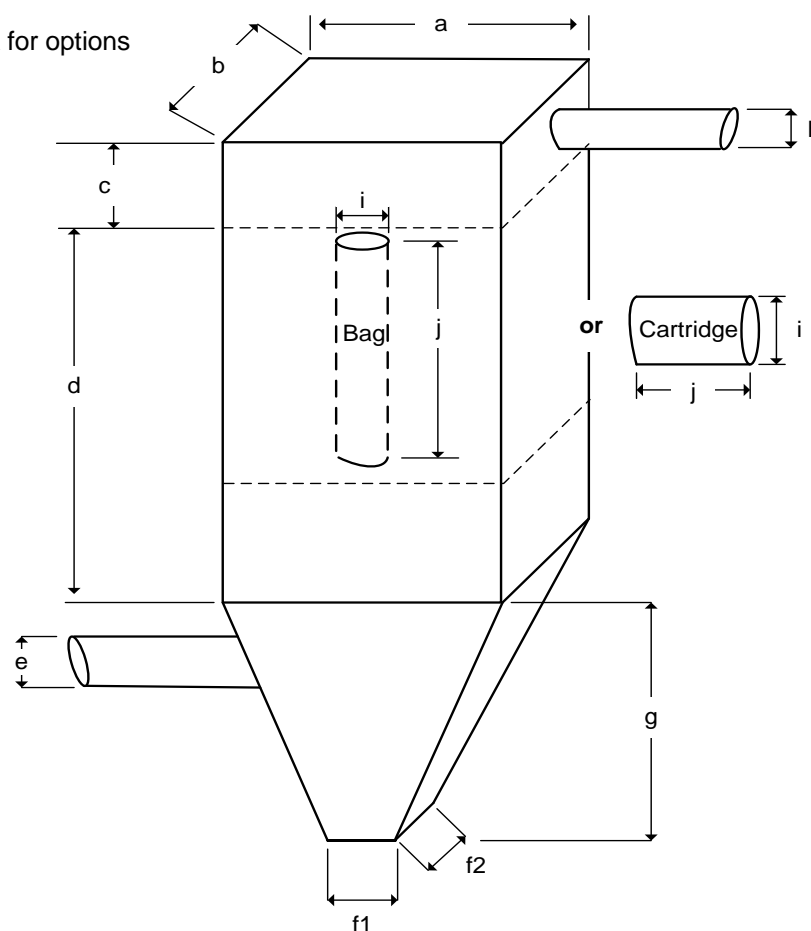
Max. positive pressure:	_____	Airflow:	_____
Max. vacuum:	_____	Reduced Exp. Pres. (P <sub>RED</sub> ):	_____
Max. Temperature:	_____	Collector Location:	_____
Min. Temperature:	_____	Distance to exterior wall:	_____
Ambient Temperature:	_____		

**Process Description:**

\_\_\_\_\_

**Process Equipment:**


Manufacturer:	_____		
Model:	_____		
Dust Collector Type:	_____	Click box for options	
Width	a	_____	ft
Length	b	_____	ft
Clean-air plenum height	c	_____	ft
Dirty-air plenum height	d	_____	ft
Inlet diameter	e	_____	in
Hopper discharge width (or Diameter)	f1	_____	in
Hopper discharge length	f2	_____	in
Hopper height	g	_____	ft
Exhaust Dia.	h	_____	in
Bag/Cartridge Dia.	i	_____	in
Bag/Cartridge Height	j	_____	in
No. of Bags/Cartridges	_____		

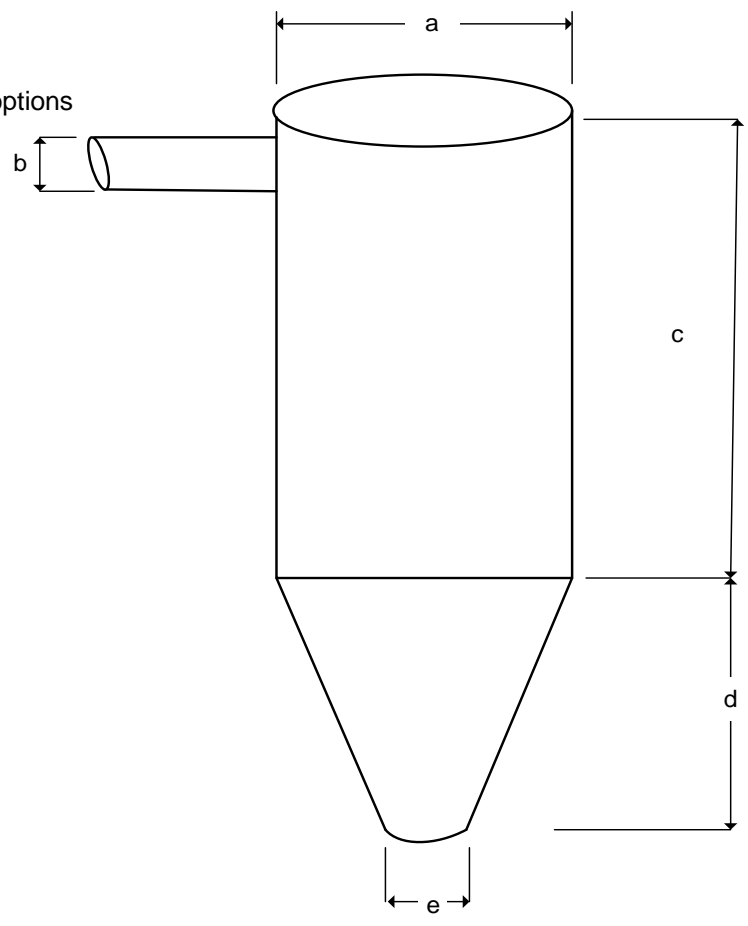


**IEP Technologies NOTES:**


\_\_\_\_\_

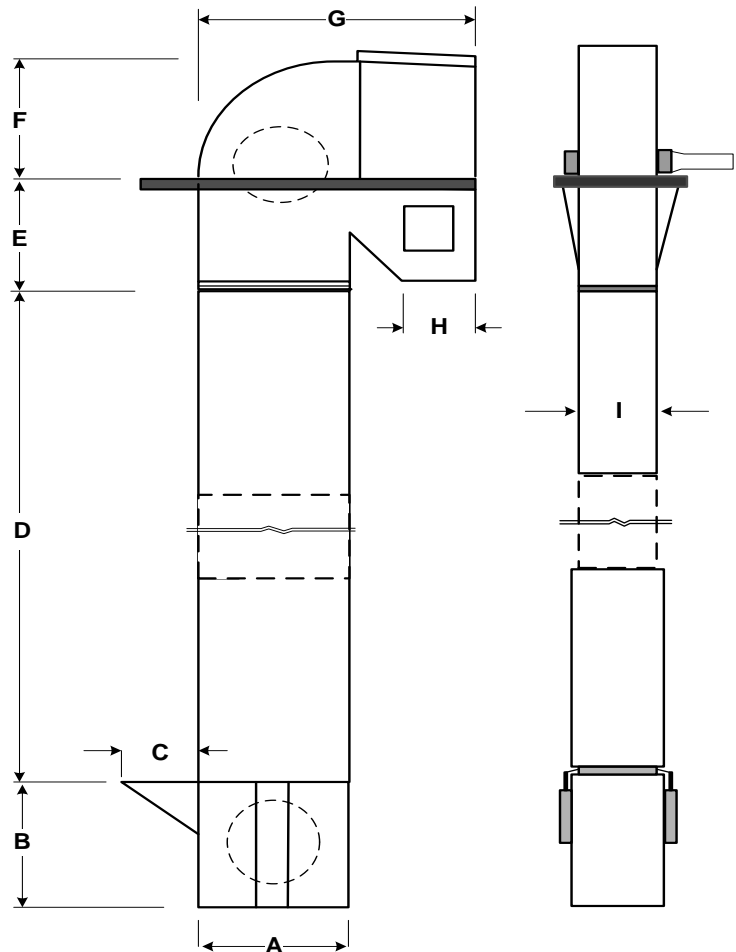
Silo

	<b>Explosion Protection System Information Worksheet</b> Version 1.7	Completed by: Company: Date: Tel No.: E-mail: Proposal Due Date:	
<b>SILO</b>			
<b>Proposal to be sent to:</b>			
Contact:		Title:	
Company Name:		Telephone:	
Address:		Fax:	
		E-mail:	
<b>PROJECT NUMBER/REF:</b>			
<i>Please provide end-user information if different than above:</i>			
Contact:		Telephone:	
Company Name:		Fax:	
Address:		E-mail:	
<b>Explosion Protection Options (click box for options)</b>		<b>Combustible Material Information:</b>	
Explosion Relief Venting	<input type="checkbox"/>	Material:	<input type="text"/>
Flameless Venting	<input type="checkbox"/>	K <sub>st</sub> or K <sub>g</sub> :	<input type="text"/> bar-m/sec
Vent Pstat (if applicable)	<input type="checkbox"/>	Auto Ignition Temperature, T <sub>c</sub> :	<input type="text"/> °C
Explosion suppression	<input type="checkbox"/>	Material Name:	<input type="text"/>
Explosion Isolation	<input type="checkbox"/>	P <sub>max</sub> :	<input type="text"/> bar g
Type of Isolation	<input type="checkbox"/>	MIE:	<input type="text"/> mJ
Exhaust air recirculates back to building?	<input type="checkbox"/>		
<b>Would you like to receive information on dust testing ?</b>			
<b>Process Operating Conditions:</b>		Click box for options	
Max. positive pressure:	<input type="text"/>	Airflow:	<input type="text"/>
Max. vacuum:	<input type="text"/>	Reduced Exp. Pres. (P <sub>RED</sub> ):	<input type="text"/>
Max. Temperature:	<input type="text"/>	Silo Location:	<input type="text"/>
Min. Temperature:	<input type="text"/>	Distance to exterior wall:	<input type="text"/>
Ambient Temperature:	<input type="text"/>		
<b>Process Description:</b>			
<b>Process Equipment:</b>			
Manufacturer:	<input type="text"/>		
Model:	<input type="text"/>		
Click box for options			
Diameter, silo	<b>a</b>	<input type="text"/>	<input type="checkbox"/>
Diameter, inlet duct	<b>b</b>	<input type="text"/>	<input type="checkbox"/>
Height	<b>c</b>	<input type="text"/>	<input type="checkbox"/>
Hopper height	<b>d</b>	<input type="text"/>	<input type="checkbox"/>
Hopper discharge width (or Diameter)	<b>e</b>	<input type="text"/>	<input type="checkbox"/>
		<input type="text"/>	<input type="checkbox"/>
		<input type="text"/>	<input type="checkbox"/>
		<input type="text"/>	<input type="checkbox"/>
		<input type="text"/>	<input type="checkbox"/>
		<input type="text"/>	<input type="checkbox"/>
		<input type="text"/>	<input type="checkbox"/>
		<input type="text"/>	<input type="checkbox"/>
<b>IEP Technologies NOTES:</b>			



**Bucket Elv-single**

 <p><b>IEP TECHNOLOGIES</b> INDUSTRIAL EXPLOSION PROTECTION</p>	<p><b>Explosion Protection System Information Worksheet</b> Version 1.7</p>	<p><b>Completed by:</b></p>																																															
<h2 style="margin: 0;">BUCKET ELEVATOR SINGLE CASING</h2>		<p><b>Company:</b></p>																																															
		<p><b>Date:</b></p>																																															
		<p><b>Tel No.:</b></p>																																															
		<p><b>E-mail:</b></p>																																															
		<p><b>Proposal Due Date:</b></p>																																															
<p><b>Proposal to be sent to:</b></p>																																																	
<p>Contact:</p>		<p>Title:</p>																																															
<p>Company Name:</p>		<p>Telephone:</p>																																															
<p>Address:</p>		<p>Fax:</p>																																															
<p><b>PROJECT NUMBER/REF:</b></p>		<p>E-mail:</p>																																															
<p><i>Please provide end-user information if different than above:</i></p>																																																	
<p>Contact:</p>		<p>Telephone:</p>																																															
<p>Company Name:</p>		<p>Fax:</p>																																															
<p>Address:</p>		<p>E-mail:</p>																																															
<p><b>Explosion Protection Options (click box for options)</b></p>																																																	
<p>Explosion Relief Venting <input type="checkbox"/></p> <p>Flameless Venting <input type="checkbox"/></p> <p>Vent Pstat (if applicable) <input type="checkbox"/></p> <p>Explosion suppression <input type="checkbox"/></p> <p>Explosion Isolation <input type="checkbox"/></p> <p>Type of Isolation <input type="checkbox"/></p>	<p><b>Combustible Material Information:</b></p> <p>Material: <input type="text"/></p> <p><math>K_{st}</math>: <input type="text"/> <b>bar-m/sec</b></p> <p>Auto Ignition Temperature, <math>T_c</math>: <input type="text"/> <b>°C</b></p> <p>Material Name: <input type="text"/></p> <p><math>P_{max}</math>: <input type="text"/> <b>bar g</b></p> <p>MIE: <input type="text"/> <b>mJ</b></p>																																																
<p><b>Would you like to receive information on dust testing ?</b> <input type="checkbox"/></p>																																																	
<p><b>Process Operating Conditions:</b></p>																																																	
<p>Max. positive pressure: <input type="text"/></p> <p>Max. vacuum: <input type="text"/></p> <p>Max. Temperature: <input type="text"/></p> <p>Min. Temperature: <input type="text"/></p> <p>Ambient Temperature: <input type="text"/></p>	<p><i>Click box for options</i></p>	<p>Airflow: <input type="text"/></p> <p>Reduced Exp. Pres. (<math>P_{RED}</math>): <input type="text"/></p> <p>Elevator Location: <input type="text"/></p> <p>Distance to exterior wall: <input type="text"/></p>	<p><i>Click box for options</i></p>																																														
<p><b>Process Description:</b></p>																																																	
<p><b>Process Equipment:</b></p>																																																	
<p>Manufacturer: <input type="text"/></p> <p>Model: <input type="text"/></p>	<table border="1" style="width:100%; border-collapse: collapse;"> <tr><td style="width:10%;">A</td><td style="width:10%;"></td><td style="width:10%;"></td><td style="width:10%;"></td><td style="width:10%;"></td></tr> <tr><td>B</td><td></td><td></td><td></td><td></td></tr> <tr><td>C</td><td></td><td></td><td></td><td></td></tr> <tr><td>D</td><td></td><td></td><td></td><td></td></tr> <tr><td>E</td><td></td><td></td><td></td><td></td></tr> <tr><td>F</td><td></td><td></td><td></td><td></td></tr> <tr><td>G</td><td></td><td></td><td></td><td></td></tr> <tr><td>H</td><td></td><td></td><td></td><td></td></tr> <tr><td>I</td><td></td><td></td><td></td><td></td></tr> </table>				A					B					C					D					E					F					G					H					I				
A																																																	
B																																																	
C																																																	
D																																																	
E																																																	
F																																																	
G																																																	
H																																																	
I																																																	
<p><b>Dust Extraction Ducts</b></p> <table border="1" style="width:100%; border-collapse: collapse;"> <thead> <tr> <th style="width:20%;">Location</th> <th style="width:10%;">Qty</th> <th style="width:10%;">Size</th> <th style="width:10%;"></th> <th style="width:10%;"></th> </tr> </thead> <tbody> <tr><td> </td><td></td><td></td><td></td><td></td></tr> <tr><td> </td><td></td><td></td><td></td><td></td></tr> <tr><td> </td><td></td><td></td><td></td><td></td></tr> <tr><td> </td><td></td><td></td><td></td><td></td></tr> </tbody> </table>					Location	Qty	Size																																										
Location	Qty	Size																																															
<p><b>IEP Technologies NOTES:</b></p>																																																	





**Explosion Protection System  
Information Worksheet**  
Version 1.7

Completed by: \_\_\_\_\_  
 Company: \_\_\_\_\_  
 Date: \_\_\_\_\_  
 Tel No.: \_\_\_\_\_  
 E-mail: \_\_\_\_\_  
 Proposal Due Date: \_\_\_\_\_

**BUCKET ELEVATOR DUAL CASING**

**Proposal to be sent to:**

Contact:	_____	Title:	_____
Company Name:	_____	Telephone:	_____
Address:	_____	Fax:	_____
	_____	E-mail:	_____
<b>PROJECT NUMBER/REF:</b>	_____		

**Please provide end-user information if different than above:**

Contact:	_____	Telephone:	_____
Company Name:	_____	Fax:	_____
Address:	_____	E-mail:	_____

**Explosion Protection Options (click box for desired options)**

Explosion Relief Venting	<input type="checkbox"/>
Flameless Venting	<input type="checkbox"/>
Vent Pstat (if applicable)	<input type="checkbox"/> psi
Explosion suppression	<input type="checkbox"/>
Explosion Isolation	<input type="checkbox"/>
Type of Isolation	<input type="checkbox"/>

**Combustible Material Information:**

Material:	_____
$K_{st}$ :	_____ bar-m/sec
Auto Ignition Temperature, $T_c$ :	_____ °C
Material Name:	_____
$P_{max}$ :	_____ bar g
MIE:	_____ mJ

**Would you like to receive information on dust testing ?**

**Process Operating Conditions:**

*Click box for options*

*Click box for options*

Max. positive pressure:	_____	Airflow:	_____
Max. vacuum:	_____	Reduced Exp. Pres. ( $P_{RED}$ ):	_____
Max. Temperature:	_____	Elevator Location:	_____
Min. Temperature:	_____	Distance to exterior wall:	_____
Ambient Temperature:	_____		

**Process Description:**

\_\_\_\_\_

**Process Equipment:**

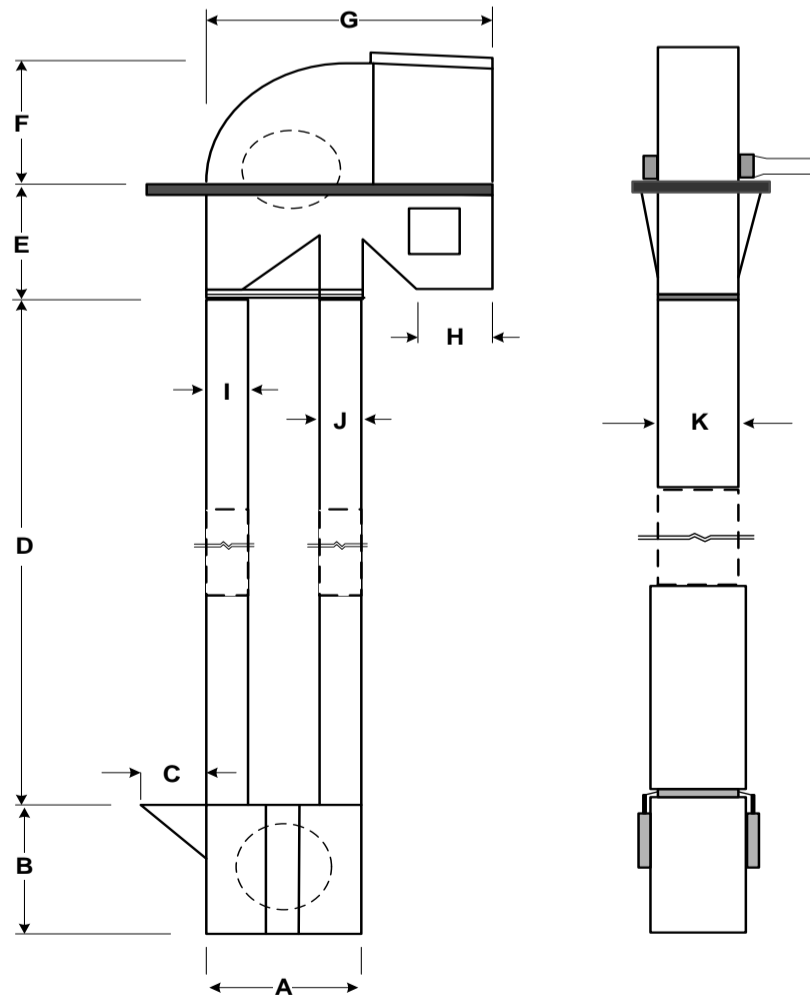
Manufacturer:	_____
Model:	_____
A	<input type="checkbox"/>
B	<input type="checkbox"/>
C	<input type="checkbox"/>
D	<input type="checkbox"/>
E	<input type="checkbox"/>
F	<input type="checkbox"/>
G	<input type="checkbox"/>
H	<input type="checkbox"/>
I	<input type="checkbox"/>
J	<input type="checkbox"/>
K	<input type="checkbox"/>

**Dust Extraction Ducts**


Location	Qty	Size

**IEP Technologies NOTES:**

\_\_\_\_\_



Misc Equipment

 <p><b>IEP TECHNOLOGIES</b> INDUSTRIAL EXPLOSION PROTECTION</p>	<p><b>Explosion Protection System Information Worksheet</b> Version 1.7</p>	<p>Completed by: _____ Company: _____ Date: _____ Tel No.: _____ E-mail: _____ Proposal Due Date: _____</p>																																																																	
<p><u>MISC EQUIPMENT</u></p>																																																																			
<p><b>Proposal to be sent to:</b></p> <table style="width:100%;"> <tr> <td style="width:50%;">Contact: _____</td> <td style="width:50%;">Title: _____</td> </tr> <tr> <td>Company Name: _____</td> <td>Telephone: _____</td> </tr> <tr> <td>Address: _____</td> <td>Fax: _____</td> </tr> <tr> <td></td> <td>E-mail: _____</td> </tr> </table> <p><b>PROJECT NUMBER/REF:</b> _____</p>				Contact: _____	Title: _____	Company Name: _____	Telephone: _____	Address: _____	Fax: _____		E-mail: _____																																																								
Contact: _____	Title: _____																																																																		
Company Name: _____	Telephone: _____																																																																		
Address: _____	Fax: _____																																																																		
	E-mail: _____																																																																		
<p><i>Please provide end-user information if different than above:</i></p> <table style="width:100%;"> <tr> <td style="width:50%;">Contact: _____</td> <td style="width:50%;">Telephone: _____</td> </tr> <tr> <td>Company Name: _____</td> <td>Fax: _____</td> </tr> <tr> <td>Address: _____</td> <td>E-mail: _____</td> </tr> </table>				Contact: _____	Telephone: _____	Company Name: _____	Fax: _____	Address: _____	E-mail: _____																																																										
Contact: _____	Telephone: _____																																																																		
Company Name: _____	Fax: _____																																																																		
Address: _____	E-mail: _____																																																																		
<table style="width:100%;"> <tr> <td style="width:45%;"><b>Explosion Protection Options (click box for desired options)</b></td> <td style="width:55%;"><b>Combustible Material Information:</b></td> </tr> <tr> <td>Explosion Relief Venting <input type="checkbox"/></td> <td>Material: <input type="text"/></td> </tr> <tr> <td>Flameless Venting <input type="checkbox"/></td> <td>K<sub>st</sub> or K<sub>g</sub>: <input type="text"/> bar-m/sec</td> </tr> <tr> <td>Vent Pstat (if applicable) <input type="checkbox"/> psi</td> <td>Auto Ignition Temperature, T<sub>c</sub>: <input type="text"/> °C</td> </tr> <tr> <td>Explosion suppression <input type="checkbox"/></td> <td>Material Name: <input type="text"/></td> </tr> <tr> <td>Explosion Isolation <input type="checkbox"/></td> <td>P<sub>max</sub>: <input type="text"/> bar g</td> </tr> <tr> <td>Type of Isolation <input type="text"/></td> <td>MIE: <input type="text"/> mJ</td> </tr> <tr> <td>Exhaust air recirculates back to building? <input type="checkbox"/></td> <td></td> </tr> </table> <p style="text-align: center;"><b>Would you like to receive information on dust testing ?</b> <input type="checkbox"/></p>				<b>Explosion Protection Options (click box for desired options)</b>	<b>Combustible Material Information:</b>	Explosion Relief Venting <input type="checkbox"/>	Material: <input type="text"/>	Flameless Venting <input type="checkbox"/>	K <sub>st</sub> or K <sub>g</sub> : <input type="text"/> bar-m/sec	Vent Pstat (if applicable) <input type="checkbox"/> psi	Auto Ignition Temperature, T <sub>c</sub> : <input type="text"/> °C	Explosion suppression <input type="checkbox"/>	Material Name: <input type="text"/>	Explosion Isolation <input type="checkbox"/>	P <sub>max</sub> : <input type="text"/> bar g	Type of Isolation <input type="text"/>	MIE: <input type="text"/> mJ	Exhaust air recirculates back to building? <input type="checkbox"/>																																																	
<b>Explosion Protection Options (click box for desired options)</b>	<b>Combustible Material Information:</b>																																																																		
Explosion Relief Venting <input type="checkbox"/>	Material: <input type="text"/>																																																																		
Flameless Venting <input type="checkbox"/>	K <sub>st</sub> or K <sub>g</sub> : <input type="text"/> bar-m/sec																																																																		
Vent Pstat (if applicable) <input type="checkbox"/> psi	Auto Ignition Temperature, T <sub>c</sub> : <input type="text"/> °C																																																																		
Explosion suppression <input type="checkbox"/>	Material Name: <input type="text"/>																																																																		
Explosion Isolation <input type="checkbox"/>	P <sub>max</sub> : <input type="text"/> bar g																																																																		
Type of Isolation <input type="text"/>	MIE: <input type="text"/> mJ																																																																		
Exhaust air recirculates back to building? <input type="checkbox"/>																																																																			
<table style="width:100%;"> <tr> <td style="width:40%;"><b>Process Operating Conditions:</b></td> <td style="width:30%; text-align: center;"><i>Click box for options</i></td> <td style="width:30%; text-align: center;"><i>Click box for options</i></td> </tr> <tr> <td>Max. positive pressure: <input type="text"/></td> <td>Airflow: <input type="text"/></td> <td>Reduced Exp. Pres. (P<sub>RED</sub>): <input type="text"/></td> </tr> <tr> <td>Max. vacuum: <input type="text"/></td> <td>Equipment Location: <input type="text"/></td> <td>Distance to exterior wall: <input type="text"/></td> </tr> <tr> <td>Max. Temperature: <input type="text"/></td> <td></td> <td></td> </tr> <tr> <td>Min. Temperature: <input type="text"/></td> <td></td> <td></td> </tr> <tr> <td>Ambient Temperature: <input type="text"/></td> <td></td> <td></td> </tr> </table>				<b>Process Operating Conditions:</b>	<i>Click box for options</i>	<i>Click box for options</i>	Max. positive pressure: <input type="text"/>	Airflow: <input type="text"/>	Reduced Exp. Pres. (P <sub>RED</sub> ): <input type="text"/>	Max. vacuum: <input type="text"/>	Equipment Location: <input type="text"/>	Distance to exterior wall: <input type="text"/>	Max. Temperature: <input type="text"/>			Min. Temperature: <input type="text"/>			Ambient Temperature: <input type="text"/>																																																
<b>Process Operating Conditions:</b>	<i>Click box for options</i>	<i>Click box for options</i>																																																																	
Max. positive pressure: <input type="text"/>	Airflow: <input type="text"/>	Reduced Exp. Pres. (P <sub>RED</sub> ): <input type="text"/>																																																																	
Max. vacuum: <input type="text"/>	Equipment Location: <input type="text"/>	Distance to exterior wall: <input type="text"/>																																																																	
Max. Temperature: <input type="text"/>																																																																			
Min. Temperature: <input type="text"/>																																																																			
Ambient Temperature: <input type="text"/>																																																																			
<p><b>Process Description:</b></p> <div style="border: 1px solid black; height: 40px;"></div>																																																																			
<p><b>Process Equipment:</b></p> <table style="width:100%;"> <tr> <td style="width:20%;">Manufacturer:</td> <td colspan="3"><input type="text"/></td> </tr> <tr> <td>Model:</td> <td colspan="3"><input type="text"/></td> </tr> <tr> <td></td> <td colspan="3" style="text-align: center;"><i>Click box for options</i></td> </tr> <tr> <td>Width</td> <td><b>a</b></td> <td><input type="text"/></td> <td><input type="text"/></td> </tr> <tr> <td>Length</td> <td><b>b</b></td> <td><input type="text"/></td> <td><input type="text"/></td> </tr> <tr> <td>Clean-air plenum height</td> <td><b>c</b></td> <td><input type="text"/></td> <td><input type="text"/></td> </tr> <tr> <td>Dirty-air plenum height</td> <td><b>d</b></td> <td><input type="text"/></td> <td><input type="text"/></td> </tr> <tr> <td>Inlet diameter</td> <td><b>e</b></td> <td><input type="text"/></td> <td><input type="text"/></td> </tr> <tr> <td>Hopper discharge width (or Diameter)</td> <td><b>f1</b></td> <td><input type="text"/></td> <td><input type="text"/></td> </tr> <tr> <td>Hopper discharge length</td> <td><b>f2</b></td> <td><input type="text"/></td> <td><input type="text"/></td> </tr> <tr> <td>Hopper height</td> <td><b>g</b></td> <td><input type="text"/></td> <td><input type="text"/></td> </tr> <tr> <td>Exhaust Dia.</td> <td><b>h</b></td> <td><input type="text"/></td> <td><input type="text"/></td> </tr> <tr> <td>Bag/Cartridge Dia.</td> <td><b>i</b></td> <td><input type="text"/></td> <td><input type="text"/></td> </tr> <tr> <td></td> <td></td> <td><input type="text"/></td> <td><input type="text"/></td> </tr> <tr> <td></td> <td></td> <td><input type="text"/></td> <td><input type="text"/></td> </tr> <tr> <td></td> <td></td> <td><input type="text"/></td> <td><input type="text"/></td> </tr> </table>				Manufacturer:	<input type="text"/>			Model:	<input type="text"/>				<i>Click box for options</i>			Width	<b>a</b>	<input type="text"/>	<input type="text"/>	Length	<b>b</b>	<input type="text"/>	<input type="text"/>	Clean-air plenum height	<b>c</b>	<input type="text"/>	<input type="text"/>	Dirty-air plenum height	<b>d</b>	<input type="text"/>	<input type="text"/>	Inlet diameter	<b>e</b>	<input type="text"/>	<input type="text"/>	Hopper discharge width (or Diameter)	<b>f1</b>	<input type="text"/>	<input type="text"/>	Hopper discharge length	<b>f2</b>	<input type="text"/>	<input type="text"/>	Hopper height	<b>g</b>	<input type="text"/>	<input type="text"/>	Exhaust Dia.	<b>h</b>	<input type="text"/>	<input type="text"/>	Bag/Cartridge Dia.	<b>i</b>	<input type="text"/>	<input type="text"/>			<input type="text"/>	<input type="text"/>			<input type="text"/>	<input type="text"/>			<input type="text"/>	<input type="text"/>
Manufacturer:	<input type="text"/>																																																																		
Model:	<input type="text"/>																																																																		
	<i>Click box for options</i>																																																																		
Width	<b>a</b>	<input type="text"/>	<input type="text"/>																																																																
Length	<b>b</b>	<input type="text"/>	<input type="text"/>																																																																
Clean-air plenum height	<b>c</b>	<input type="text"/>	<input type="text"/>																																																																
Dirty-air plenum height	<b>d</b>	<input type="text"/>	<input type="text"/>																																																																
Inlet diameter	<b>e</b>	<input type="text"/>	<input type="text"/>																																																																
Hopper discharge width (or Diameter)	<b>f1</b>	<input type="text"/>	<input type="text"/>																																																																
Hopper discharge length	<b>f2</b>	<input type="text"/>	<input type="text"/>																																																																
Hopper height	<b>g</b>	<input type="text"/>	<input type="text"/>																																																																
Exhaust Dia.	<b>h</b>	<input type="text"/>	<input type="text"/>																																																																
Bag/Cartridge Dia.	<b>i</b>	<input type="text"/>	<input type="text"/>																																																																
		<input type="text"/>	<input type="text"/>																																																																
		<input type="text"/>	<input type="text"/>																																																																
		<input type="text"/>	<input type="text"/>																																																																
<p>Please include a schematic here with dimensions !</p>																																																																			
<p><b>IEP Technologies NOTES:</b></p> <div style="border: 1px solid black; height: 80px;"></div>																																																																			

---

**Process Details Check List (enclose drawings / sketches)**

---

- Dimensions and description of interior volume of process component(s)
- Details of process openings and interconnections. Include length and diameter of ducts
- Details of process and air flow components. I.e. valves, fans, screw conveyors, etc.
- Details of vent panels or doors. Include opening pressure (Pstat) and size
- Location of outside walls and roofs with respect to process components.

---

**Other information:**