



**CUSTOMER INFORMATION**

Company Name:		Contact Name:	
Street Address:		City, State, Zip:	
Country:			
Customer ID:		Phone:	
Customer Job/RFQ:		Email:	
Ref Quote #:		Ref Mfg/Srl #:	

**GENERAL INFORMATION**

1	Problems associated with current process:	
2	Quantity Required:	
3	Current Make/Model:	

**TECHNICAL SPECIFICATIONS**

4	Material Handled:			
5	Bulk Density:		Lbs/ft <sup>3</sup>	Kg/m <sup>3</sup>
6	Minimum Temperature:		°F	°C
7	Maximum Temperature:		°F	°C
8	Load Rate:		Bushels/hr	Tons/hr
				Metric Tons/hr
9	Type of Loading:	Enclosed Truck/Railcar	Open Truck/Railcar	Barge
		Enclosed ShipHold	Stockpile	Other : _____
9a	If enclosed loading, indicate hatch size:	Round	Square	Other : _____
10	Material conveyed into the Loading Spout by:	Storage Silo	Belt Conveyor	Screw Conveyor
		Other : _____		Air Conveyor
11	Internal Metal Construction:	Carbon Steel	304 Stainless Steel	316 Stainless Steel
		AR400	Other : _____	AR235
12	External Metal Construction:	Carbon Steel	304 Stainless Steel	316 Stainless Steel
		AR400	Other : _____	AR235
13	Installation Location:	Inside	Outside	
14	Drive Motor Voltage:	230/460V - 60 Hz	400V - 50Hz	575V - 60Hz
		Other : _____		
15	Accessories and Controls:	24VDC	120V	
16	Electrical Classification:	Nema 4	Nema 4x	Nema 7/9
		None	Class: ___ Div: ___ Grp: ___	
17	ATEX Certification:	Gas	Dust	2/22 1/21 0/20
18	Dust Collection Requirements:	None	In-Line (Integrated) Filter	Central Dust Collector
		Other : _____		
18a	If Central Dust Collector, indicate rating:	_____ CFM		
19	Loading Spout Positioning:	Static (None)	Single Axis	Dual Axis
19a	Spout Positioner Axis' Travel:	_____ feet of total travel on X axis		_____ feet of total travel on Y axis
20	Spout Extended Travel:	_____ ft		_____ m

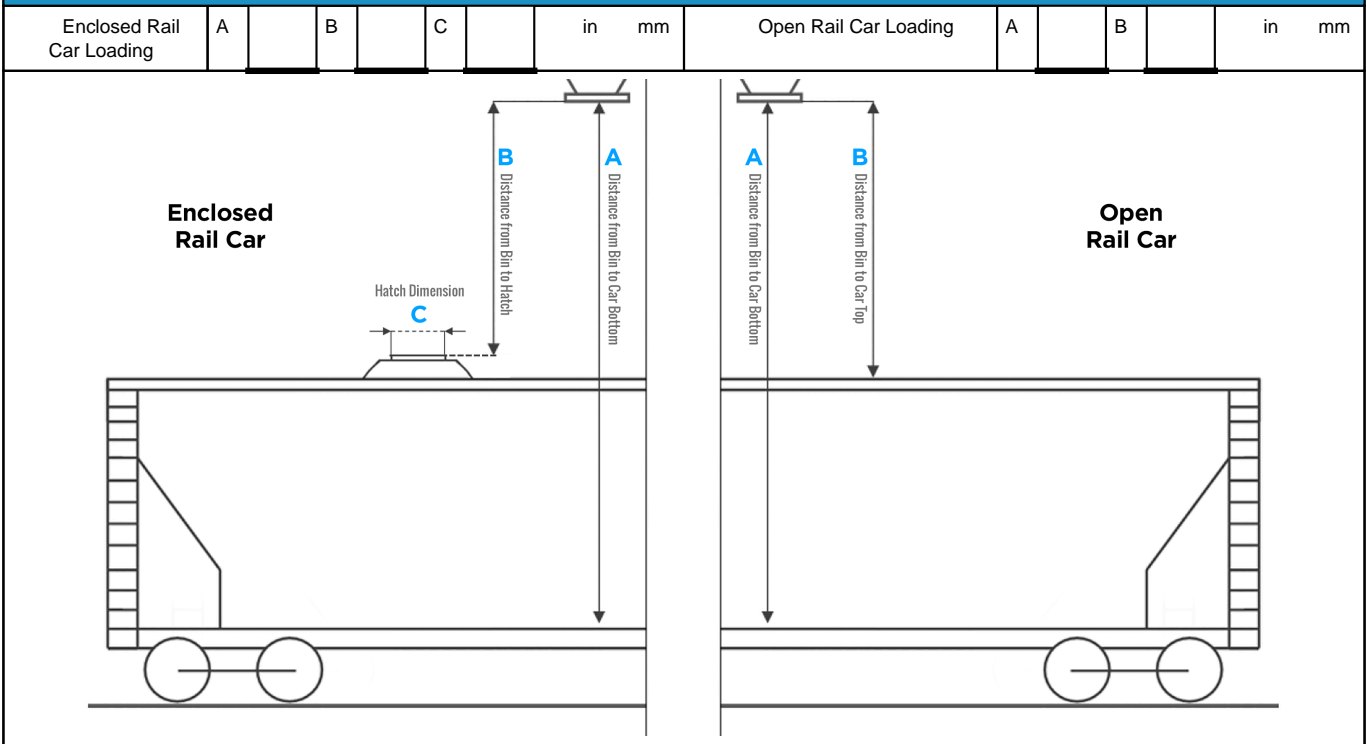
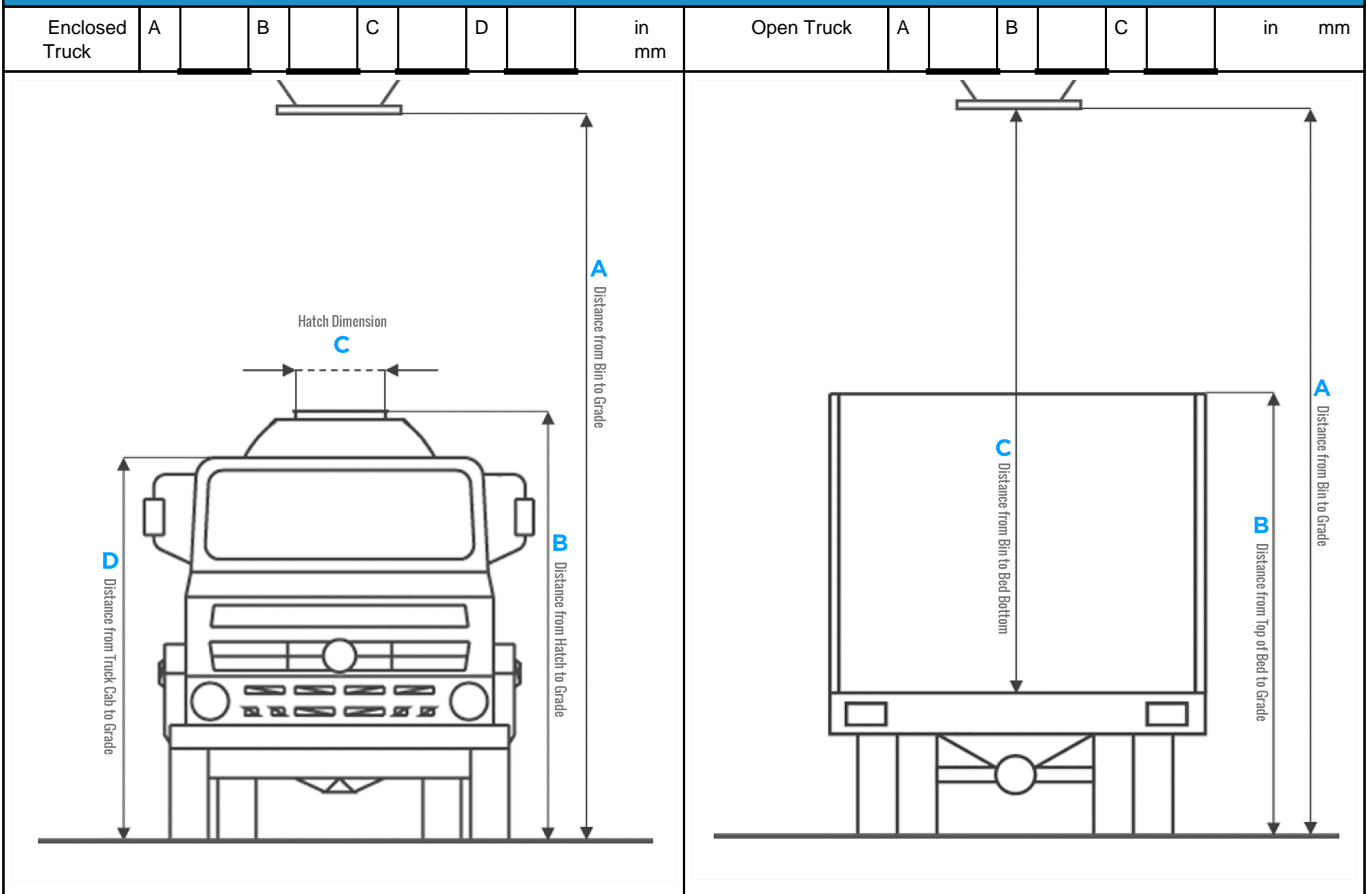
**LOADING SPOUT ACCESSORIES / MODIFIERS**

Control Pendant	Level Sensing Kit	Spreader/Spin Loader	Motor Starter	Self-Sealing Discharge Cone
Vibration Unit	Encoder	Maintenance Gate	Rotary Limit Switch	Detachable Skirt
				Process Gate
				Other : _____

**NOTES:**



### LOADING SPOUT DRAWINGS



For other applications, please provide dimensional drawings if possible.